

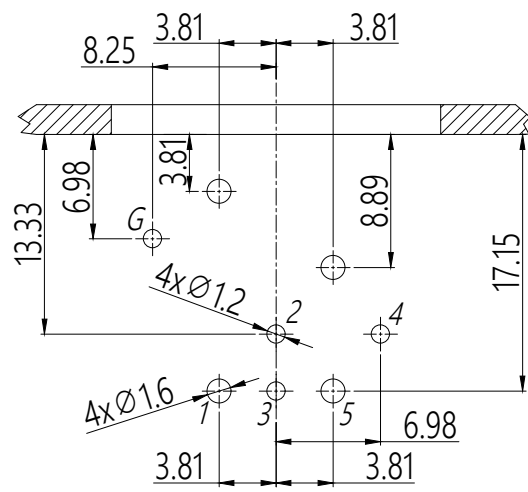
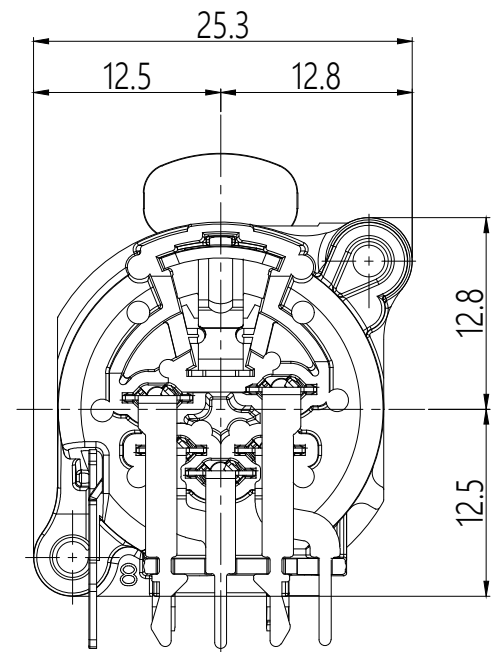
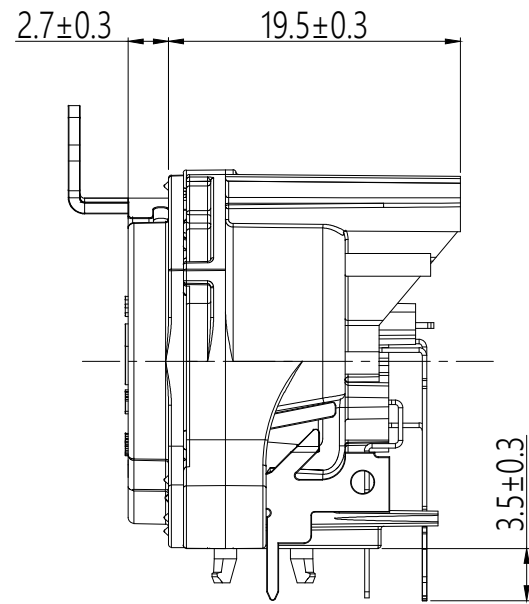
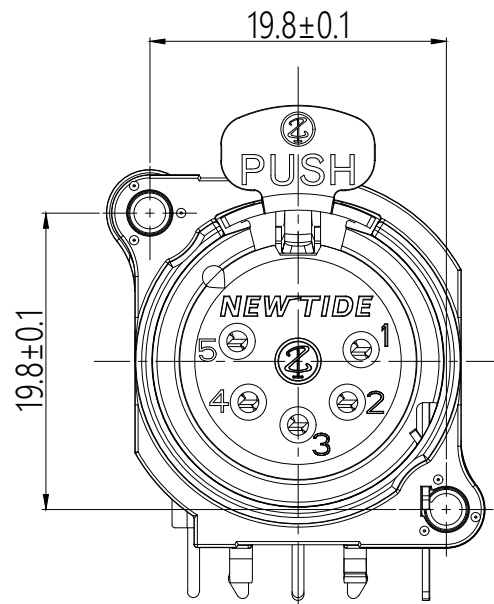
Self-tapping screw specifications : 4-24(2.9x1.06)

A

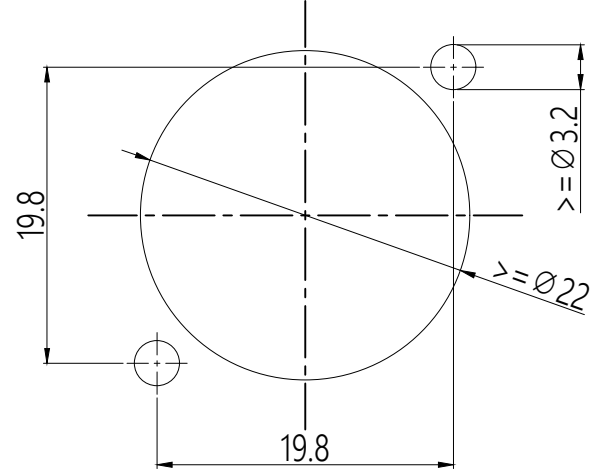
B

C

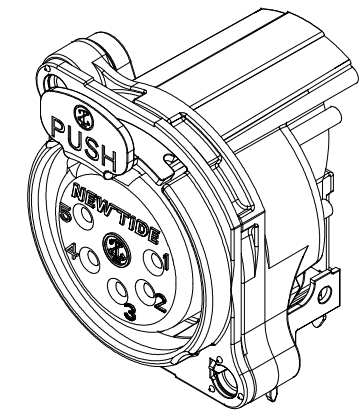
D



PCB-Layout (component side)



Panel cut out (Rear side)



grounding: separate ground contact to mating connector shell and front panel, horizontal PCB mount

A

B

C

D

機種 MODER	XRBO475	料號 PART NO.	1047508-050301	圖號 DWG NO.	XRBO475-5P	製圖 DRAWER	Andy Lin	Symbol for third angle projection
品名 TITLE	5 pole plastic female XLR receptacle		版本 VERSION	A	比例 RATIO	1:2	日期 DATE	2025/08/11


帝公企業股份有限公司
 KING NET ENTERPRISE CO.,LTD.
 TEL:06-3557301 FAX:06-3557435