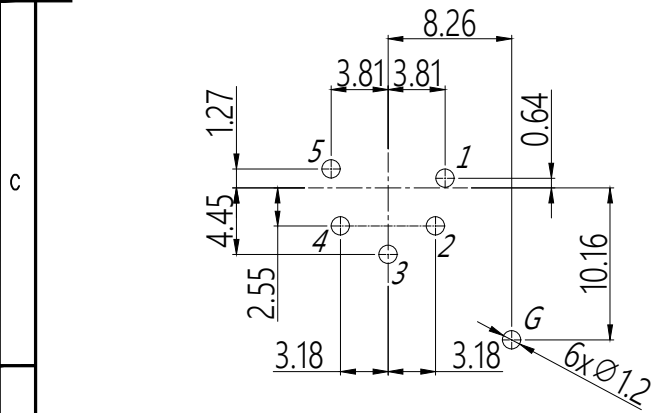
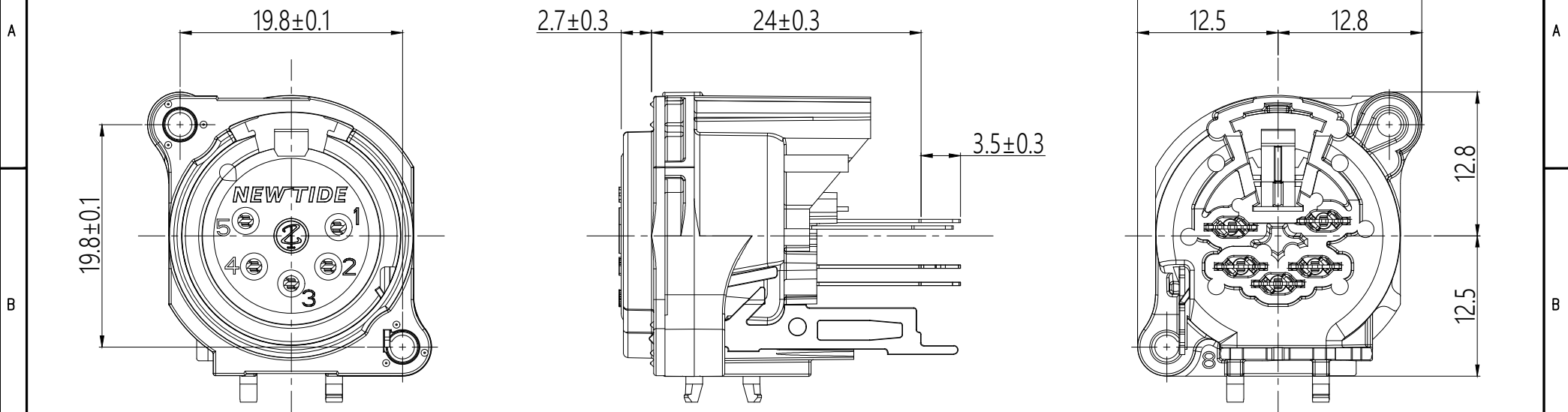
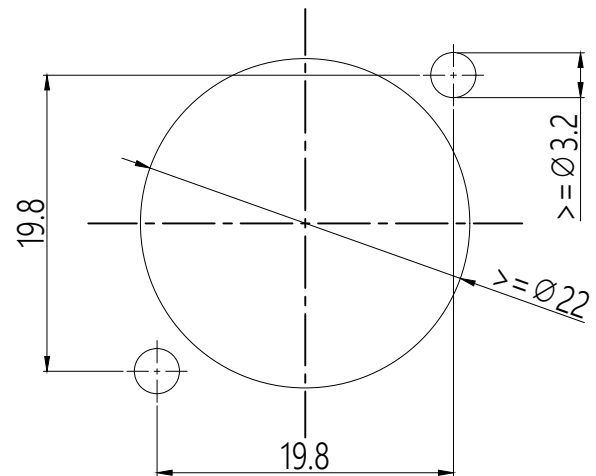


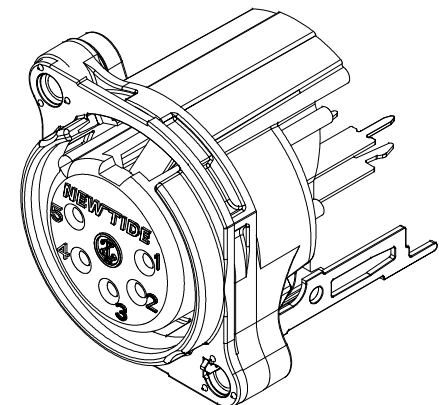
Self-tapping screw specifications : 4-24(2.9x1.06)



PCB-LAYOUT(component side)



Panel cut out(Rear side)



grounding: separate ground contact to mating connector shell and front panel, vertical PCB mount, retention spring instead of latch

機種 MODER	XRB0474	料號 PART NO.	1047408-050302	圖號 DWG NO.	XRB0474-5P-0	製圖 DRAWER	Andy Lin	Symbol for third angle projection	帝公企業股份有限公司 KING NET ENTERPRISE CO.,LTD. TEL:06-3557301 FAX:06-3557435
品名 TITLE	5 pole plastic female XLR receptacle		版本 VERSION	A	比例 RATIO	1:2	日期 DATE	2025/08/11	