

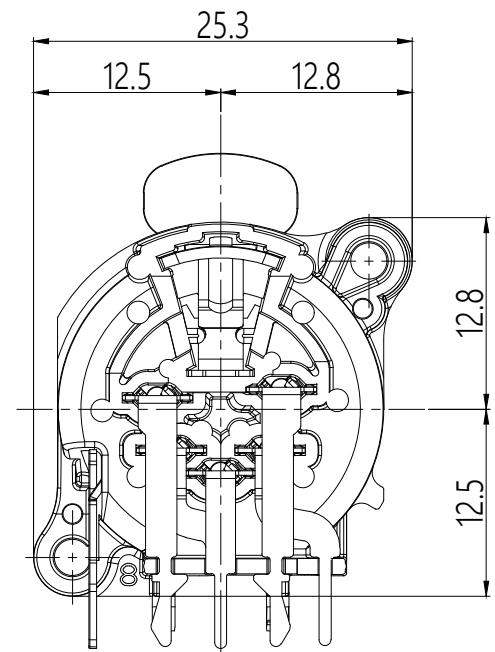
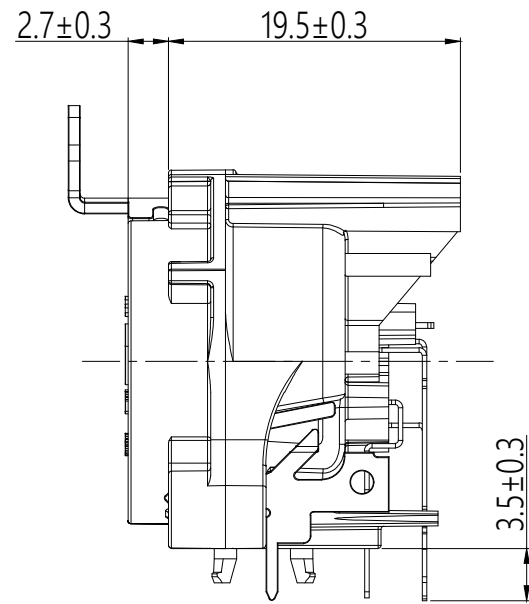
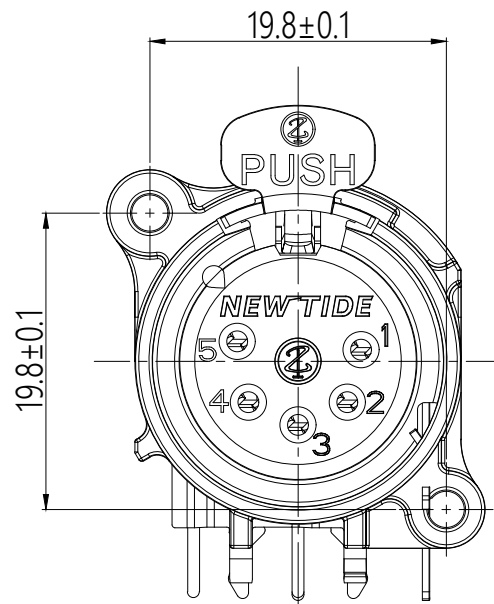
Self-tapping screw specifications : 4-24(2.9x1.06)

A

B

C

D

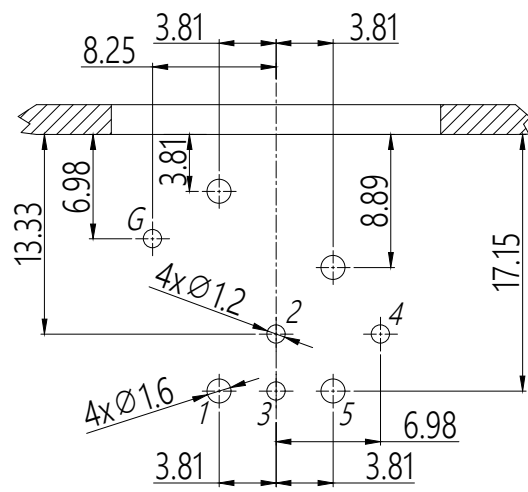


A

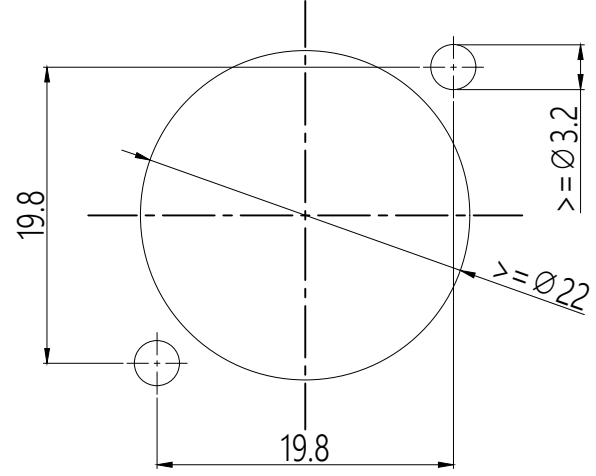
B

C

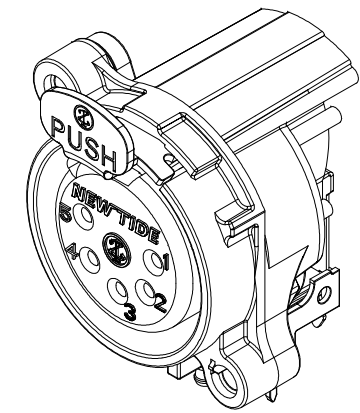
D




PCB-Layout (component side)



Panel cut out (Rear side)



grounding: separate ground contact to mating connector shell and front panel, horizontal PCB mount

機種 MODER	XRA0375	料號 PART NO.	1037508-050301	圖號 DWG NO.	XRA0375-5P	製圖 DRAWER	Andy Lin	Symbol for third angle projection	 帝公企業股份有限公司 KING NET ENTERPRISE CO.,LTD. TEL:06-3557301 FAX:06-3557435
品名 TITLE	5 pole plastic female XLR receptacle		版本 VERSION	A	比例 RATIO	1:2	日期 DATE	2025/08/11	

1

2

3

4

5

6