

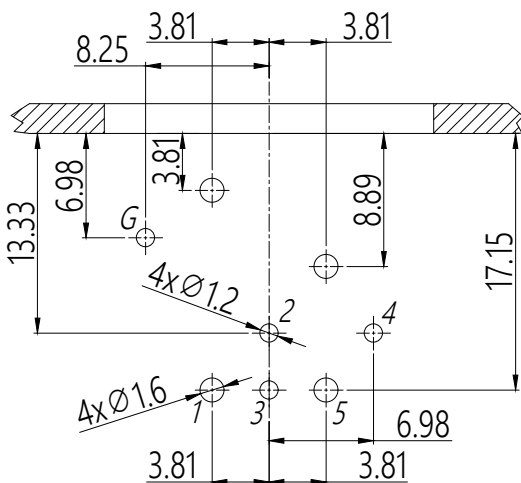
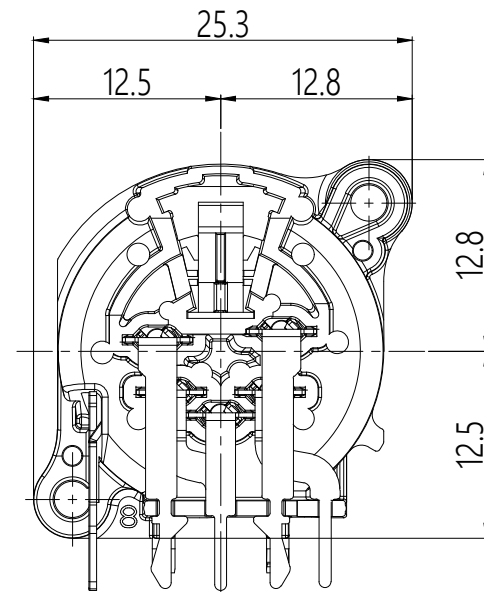
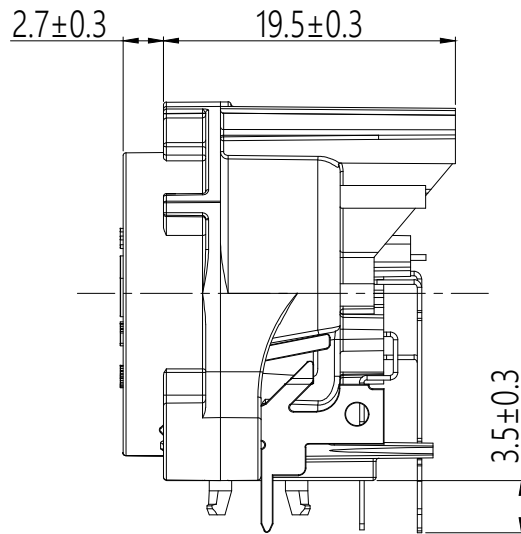
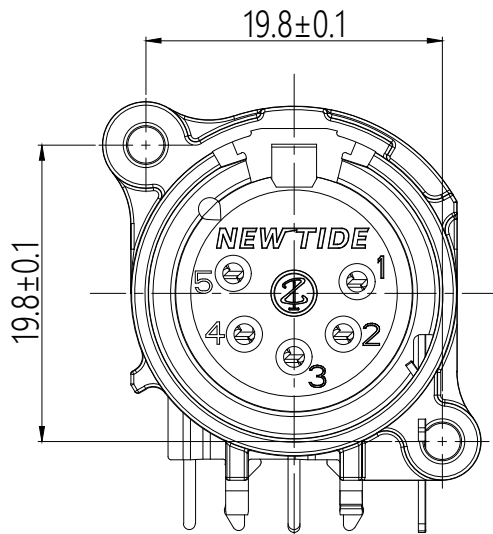
Self-tapping screw specifications : 4-24(2.9x1.06)

A

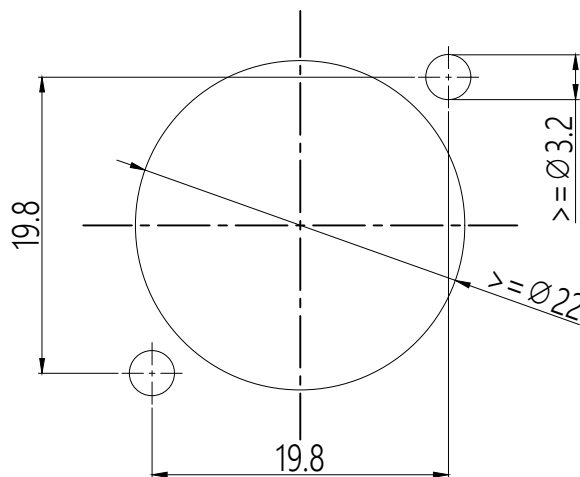
B

C

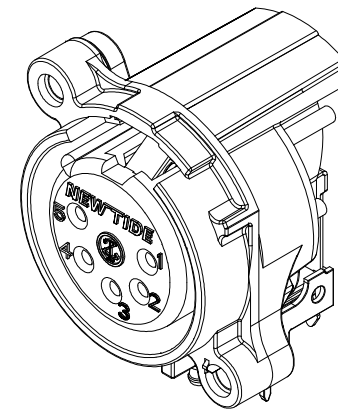
D



PCB-Layout (component side)



Panel cut out (Rear side)



grounding: mating connector shell to pin1 and front panel, horizontal PCB mount, retention spring instead of latch

A

B

C

D

機種 MODER	XRA0375	料號 PART NO.	1037508-050302	圖號 DWG NO.	XRA0375-5P-0	製圖 DRAWER	Andy Lin	Symbol for third angle projection
品名 TITLE	5 pole plastic female XLR receptacle		版本 VERSION	A	比例 RATIO	1:2	日期 DATE	2025/08/11


帝公企業股份有限公司
 KING NET ENTERPRISE CO.,LTD.
 TEL:06-3557301 FAX:06-3557435

1

2

3

4

5

6