

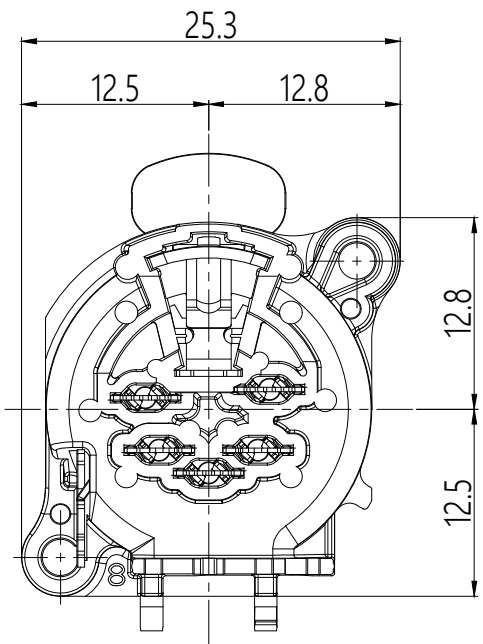
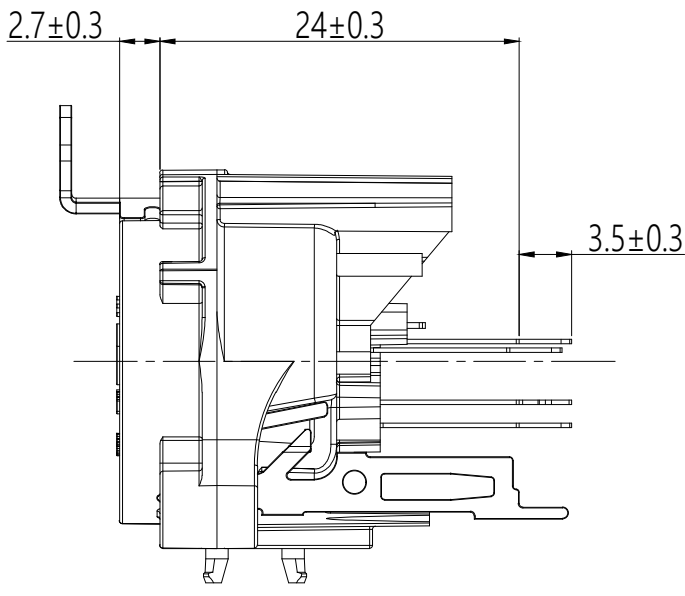
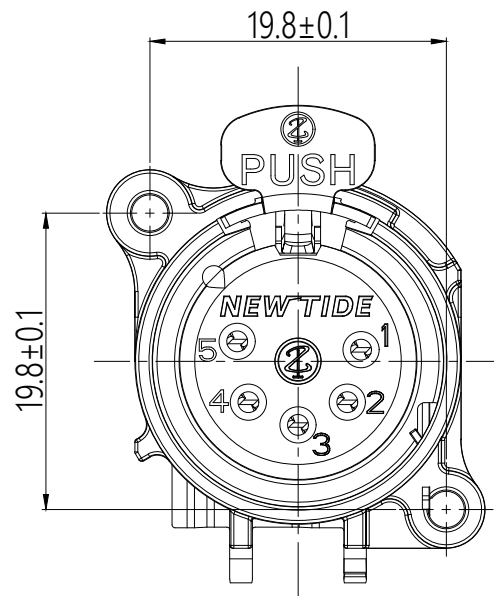
Self-tapping screw specifications : 4-24(2.9x1.06)

A

B

C

D

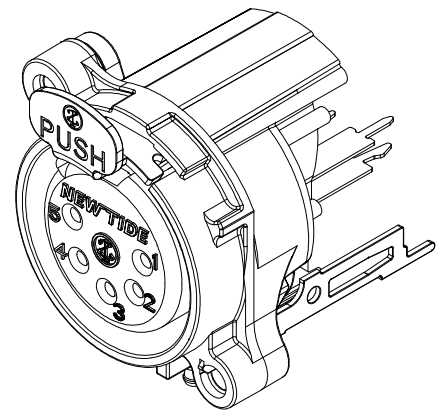
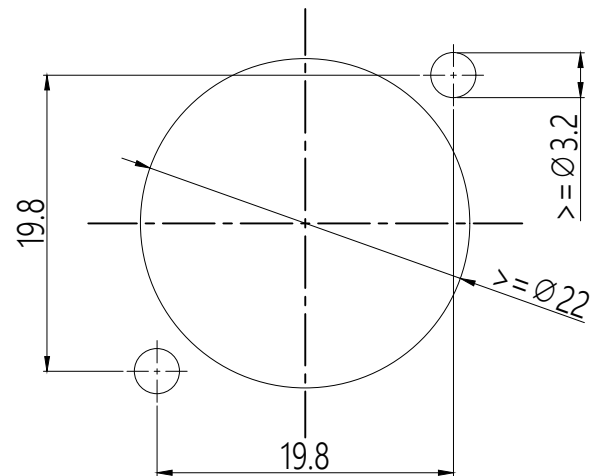
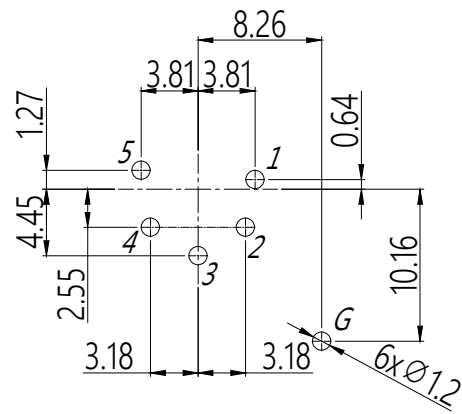


A

B

C

D



grounding: separate ground contact to mating connector shell and front panel, vertical PCB mount

PCB-Layout(component side)

Panel cut out(Rear side)

機種 MODER	XRA0374	料號 PART NO.	1037408-050301	圖號 DWG NO.	XRA0374-5P	製圖 DRAWER	Andy Lin	Symbol for third angle projection
品名 TITLE	5 pole plastic female XLR receptacle		版本 VERSION	A	比例 RATIO	1:2	日期 DATE	2025/08/11


**帝公企業股份有限公司**  
 KING NET ENTERPRISE CO.,LTD.  
 TEL:06-3557301 FAX:06-3557435