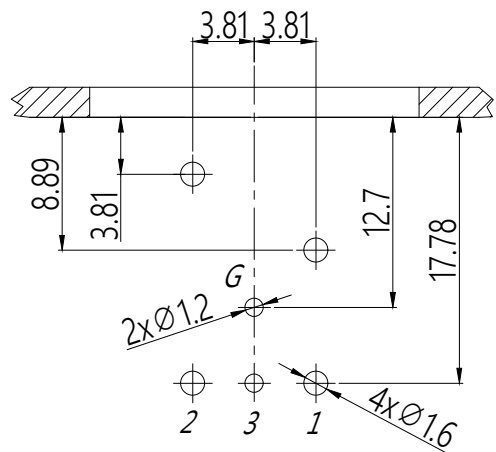
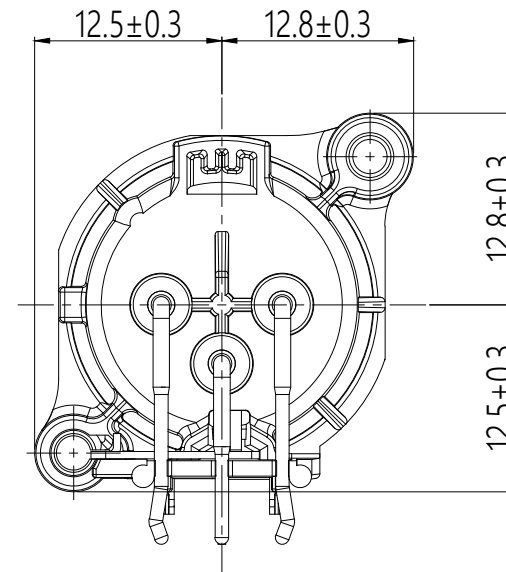
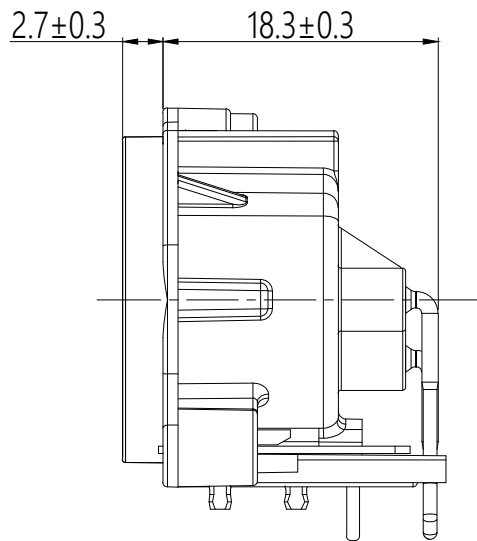
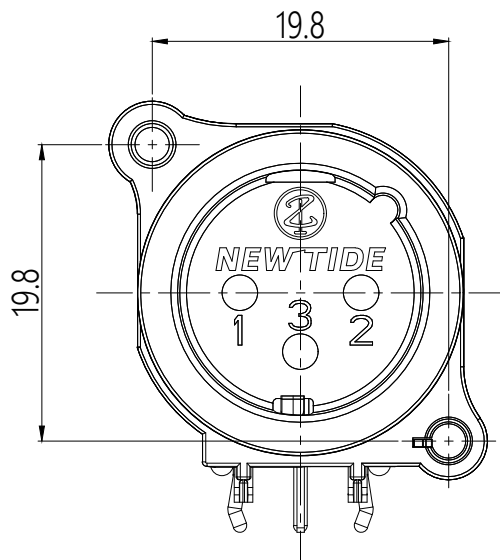
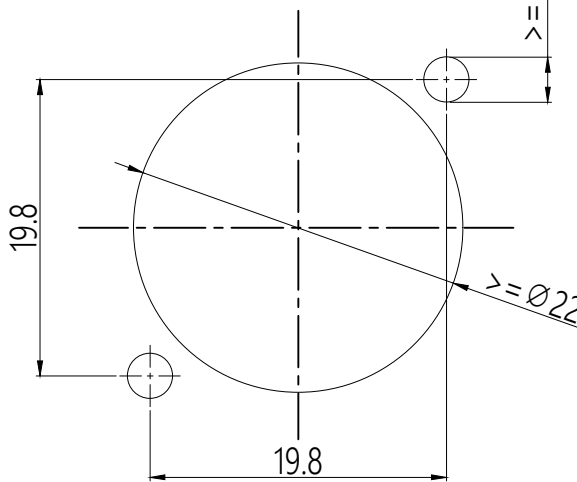


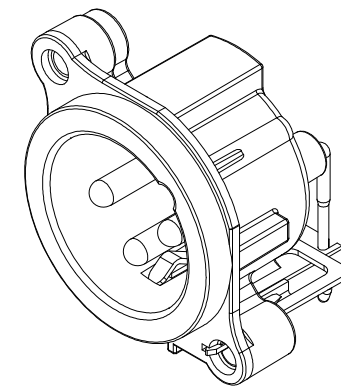
Self-tapping screw specifications : 4-24(2.9x1.06)




PCB-Layout(component side)



Panel cut out(Rear side)



grounding: separate ground contact to mating connector shell and front panel, horizontal PCB mount

機種 MODER	XRA0385	料號 PART NO.	1038508-030303	圖號 DWG NO.	XRA0385-3P	製圖 DRAWER	Andy Lin	Symbol for third angle projection	 帝公企業股份有限公司 KING NET ENTERPRISE CO.,LTD. TEL:06-3557301 FAX:06-3557435
品名 TITLE	3 pole plastic male XLR receptacle		版本 VERSION	A	比例 RATIO	1:2	日期 DATE	2023/06/02	